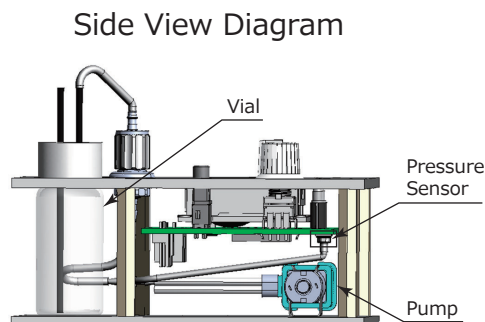
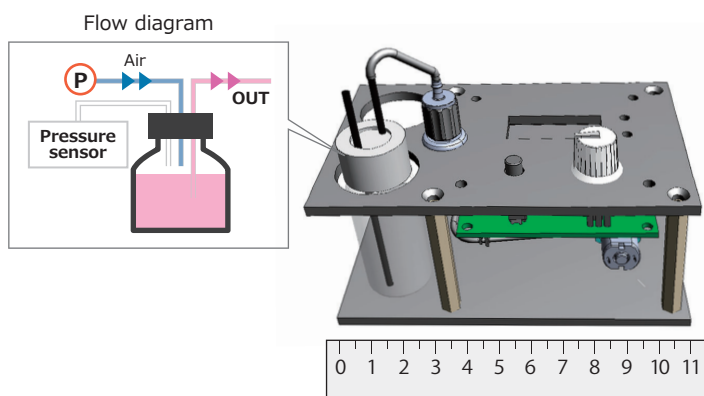


Compact Pressure Driven Flow System

Accurate and Pulsation-free Fluid Delivery
with a Compact Package



Development Concept

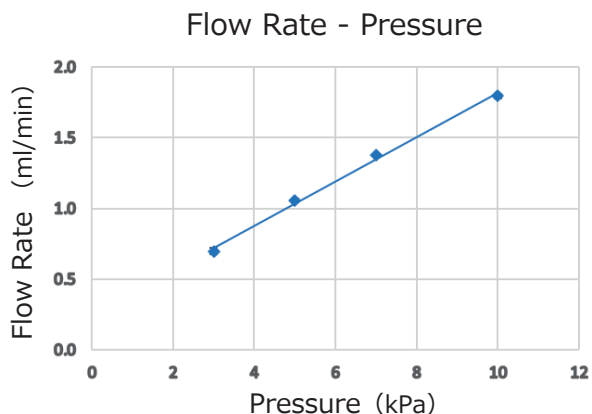
- ◆ Accurate and pulsation-free fluid delivery with pressure feedback function.
- ◆ Compact system by utilizing our miniature-sized pump.
- ◆ Useable anywhere without pressure source.
- ◆ Customizable flow rate or pressure.

Applications

Drug delivery systems / High precision measurement / Perfusion / Cell sorter, etc.

Specification

Pressure Range	0 ~ 10 kPa
Pressure Control	0.1 kPa
Feedback	± 0.1 kPa
Dimensions	W 110 x L 70 x H 46 mm



* This graph represents average measurement values under the following conditions:
100mL bottle capacity, 50mL liquid volume, pure water as media connected to I.D. 0.25mm PEEK tubing. These values are representative values and not guaranteed values.